

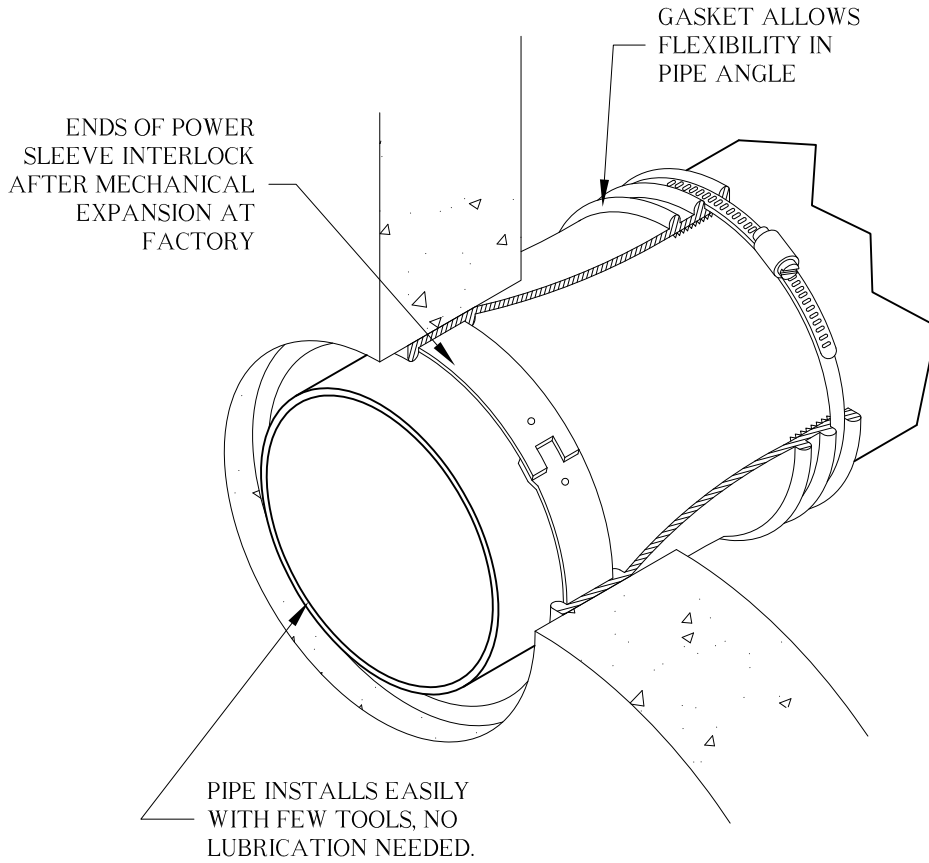


7415 Diley Road
Canal Winchester, OH 43110

Phone (614) 837-8444
Toll Free (800) 438-2880
Fax (614) 837-1198

MANHOLE GASKET PSX BOOT - FACTORY INSTALLED

On Target for Quality Precast Concrete Products and Waste Water Treatment Systems



NOTES:

1. Conforms to ASTM C-923.
2. Diameter ranges from 1-1/2" to 25-1/2" outside diameter.
3. Durability not affected by sulfuric or hydrochloric acid.
4. Gasket material - isoprene rubber.
5. Power sleeve material - stainless steel.

