

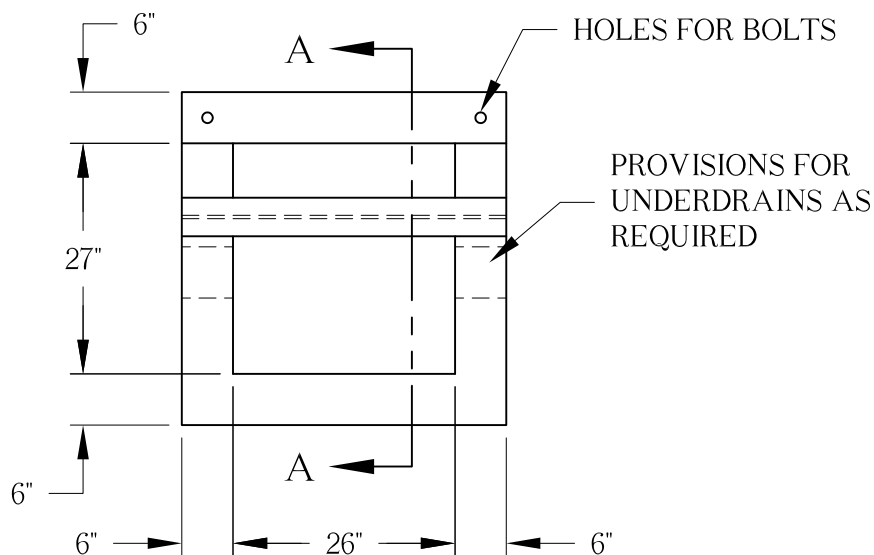


7415 Diley Road
Canal Winchester, OH 43110

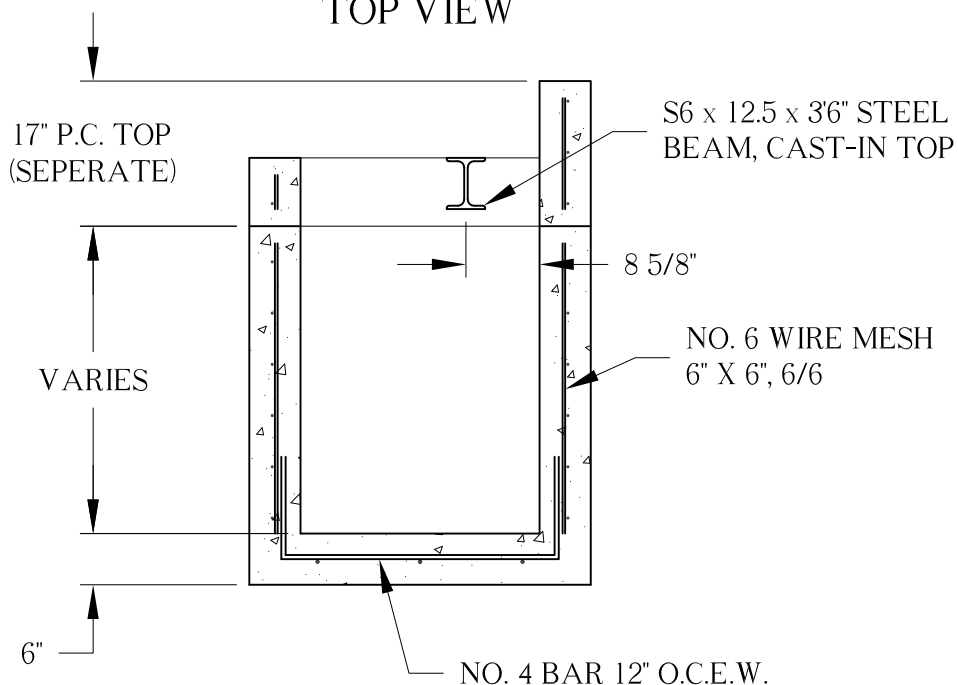
Phone (614) 837-8444
Toll Free (800) 438-2880
Fax (614) 837-1198

O.D.O.T. CB-3A CATCH BASIN

On Target for Quality Precast Concrete Products and Waste Water Treatment Systems



TOP VIEW



SECTION A-A

NOTES:

- 1. Concrete 4,000 P.S.I. at 28 days minimum.
- 2. Holes to be 2" larger then pipe O.D.