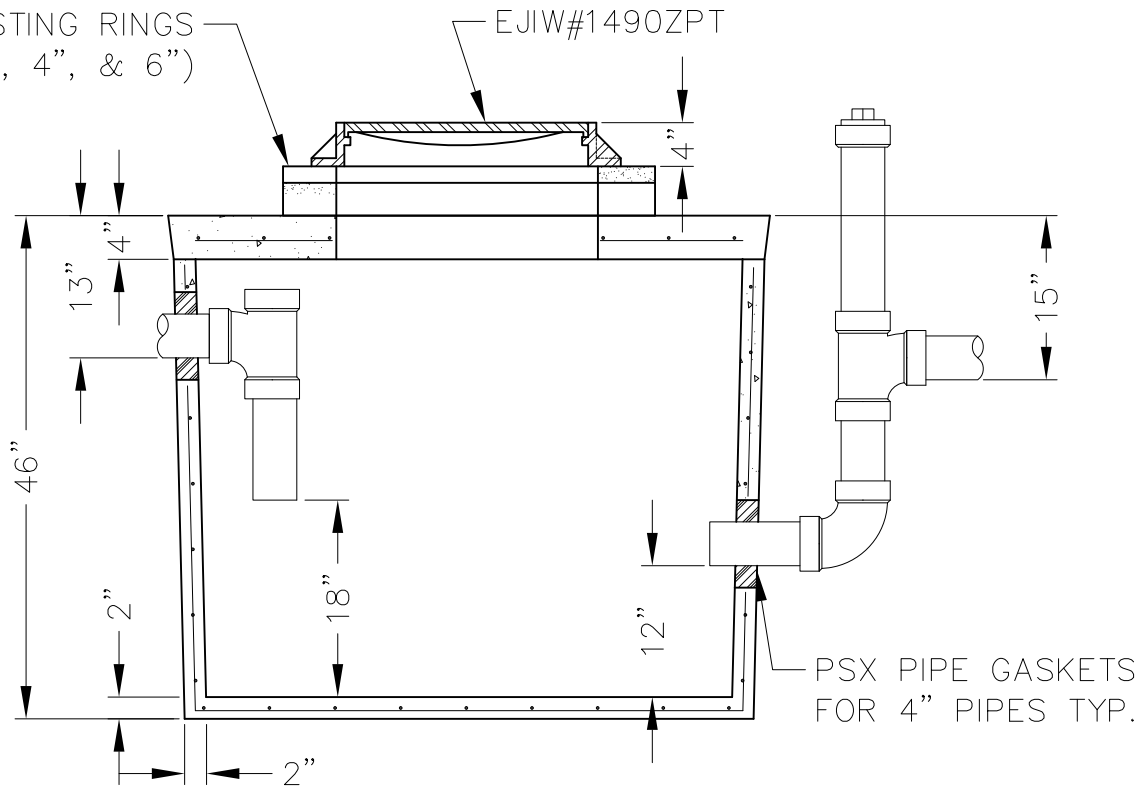


GRADE ADJUSTING RINGS
(2", 3", 4", & 6")



NOTE;

1. ALL PIPING AS SHOWN BY P.C.
2. CONCRETE 5,000 PSI MIN @ 28 DAYS



7415 Diley Road
Canal Winchester, OH 43110

Phone (614) 837-8444
Fax (614) 837-1198

TITLE:

MODEL G-2
GREASE INTERCEPTOR

GREASE RETENTION CAPACITY
560# (9.9 CF.)

SCALE:
NONE

DRWN BY:
DCO

DATE:
2/2009