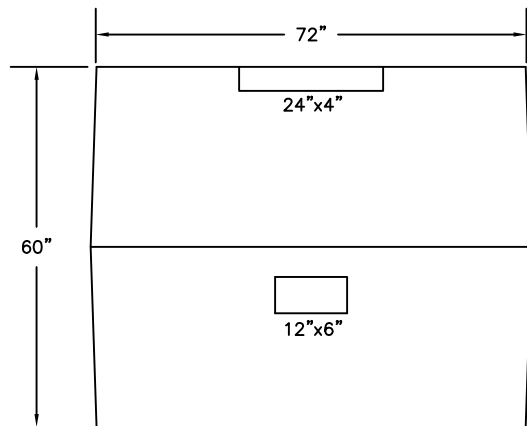
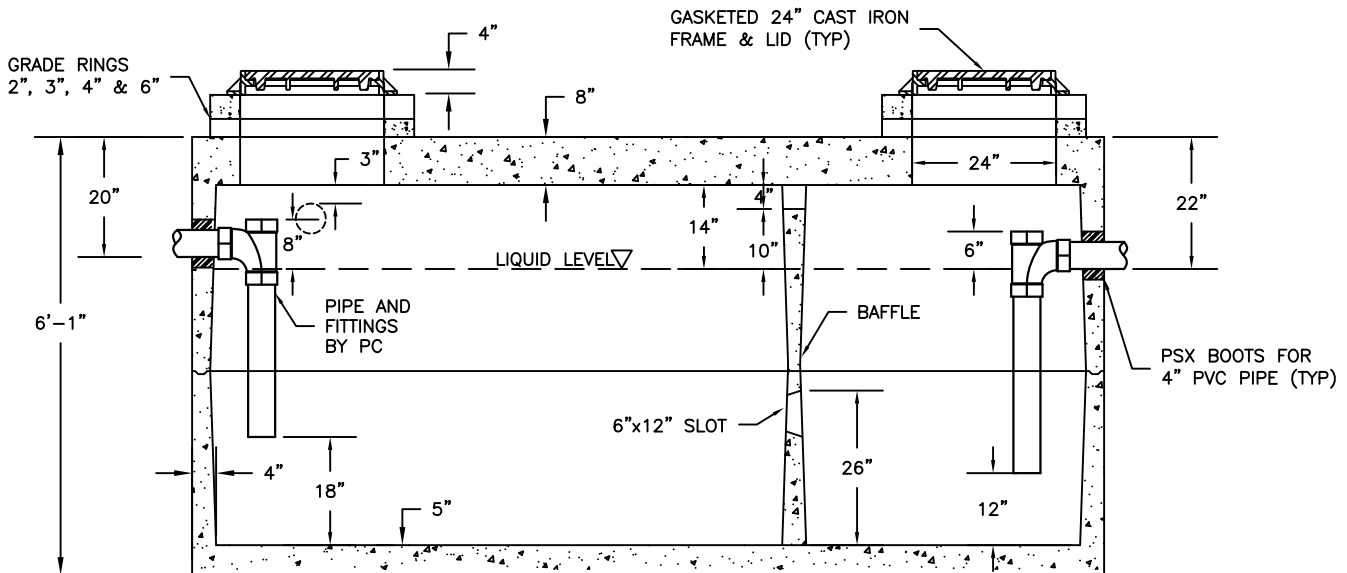


G20  
2,000 GALLONS  
HS20  
1' - 3' COVER  
(DATE)

TOP VIEW



BAFFLE



SECTION VIEW

SPECIFICATIONS

1. DESIGN IS IN ACCORDANCE WITH ASTM C1613, IAPMO Z1001, AND ACI318
2. LIVE LOAD: HS20 OR 100psf
3. EARTH FILL: 1' MIN - 3' MAX
4. CONCRETE STRENGTH: 5,000 PSI @ 28 DAYS
5. REINFORCING STEEL: GRADE 60
6. OPENINGS, SIZE & LOCATION AS REQUIRED
- 6.1. PROVIDE ADDITIONAL REINFORCING AROUND OPENINGS >12" EQUAL TO THE BARS INTERRUPTED BY THE OPENING, 1/2 EACH SIDE AND IN THE SAME PLANE, ADD #3 DIAGONAL TRIM BARS AT OPENINGS
7. TANK VOLUME 2,000 GALLONS WITH 4,232# RETENTION
8. MATERIALS AND MANUFACTURING CONFORM TO ASTM C1613



**MODEL G20  
2,000 GALLON  
GREASE  
INTERCEPTOR**

UPC CERTIFIED