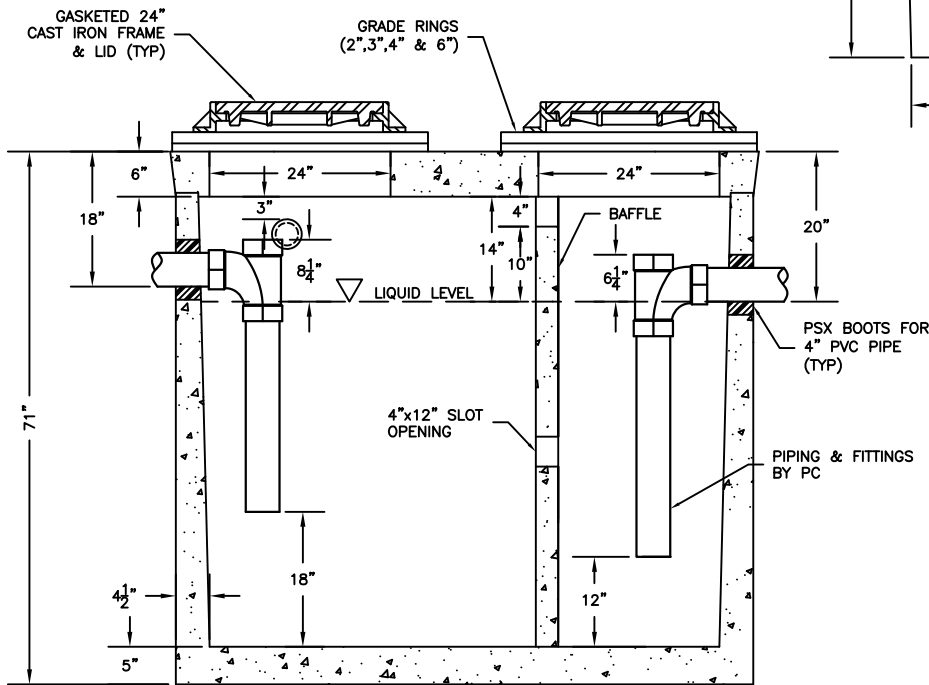
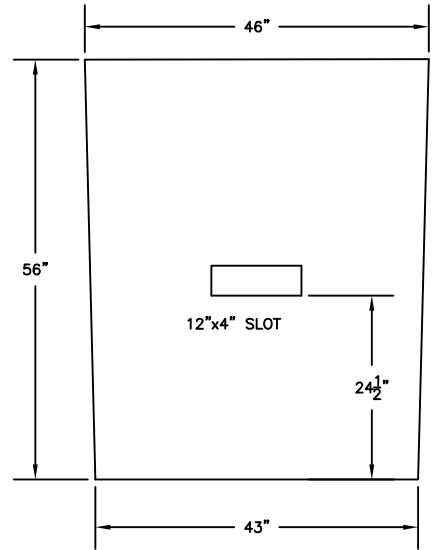


**G5**  
 500 GALLONS  
 HS20  
 1' - 3' COVER  
 (DATE)



SECTION VIEW

**SPECIFICATIONS**

1. DESIGN IS IN ACCORDANCE WITH ASTM C1613, IAPMO Z1001, AND ACI318
2. LIVE LOAD: HS20 OR 100psf
3. EARTH FILL: 1' MIN - 3' MAX
4. CONCRETE STRENGTH: 5,000 PSI @ 28 DAYS
5. REINFORCING STEEL: GRADE 60
6. OPENINGS, SIZE & LOCATION AS REQUIRED
- 6.1. PROVIDE ADDITIONAL REINFORCING AROUND OPENINGS >12" EQUAL TO THE BARS INTERRUPTED BY THE OPENING, 3/4" EACH SIDE AND IN THE SAME PLANE, ADD #3 DIAGONAL TRIM BARS AT OPENINGS
7. TANK VOLUME 500 GALLONS WITH 1,160# RETENTION
8. MATERIALS AND MANUFACTURING CONFORM TO ASTM C1613



7415 DILEY RD.  
 CANAL WINCHESTER, OH 43110  
 PHONE (614) 837-8444 FAX (614) 837-1198

**MODEL G5  
 500 GALLON  
 GREASE  
 INTERCEPTOR**

UPC CERTIFIED