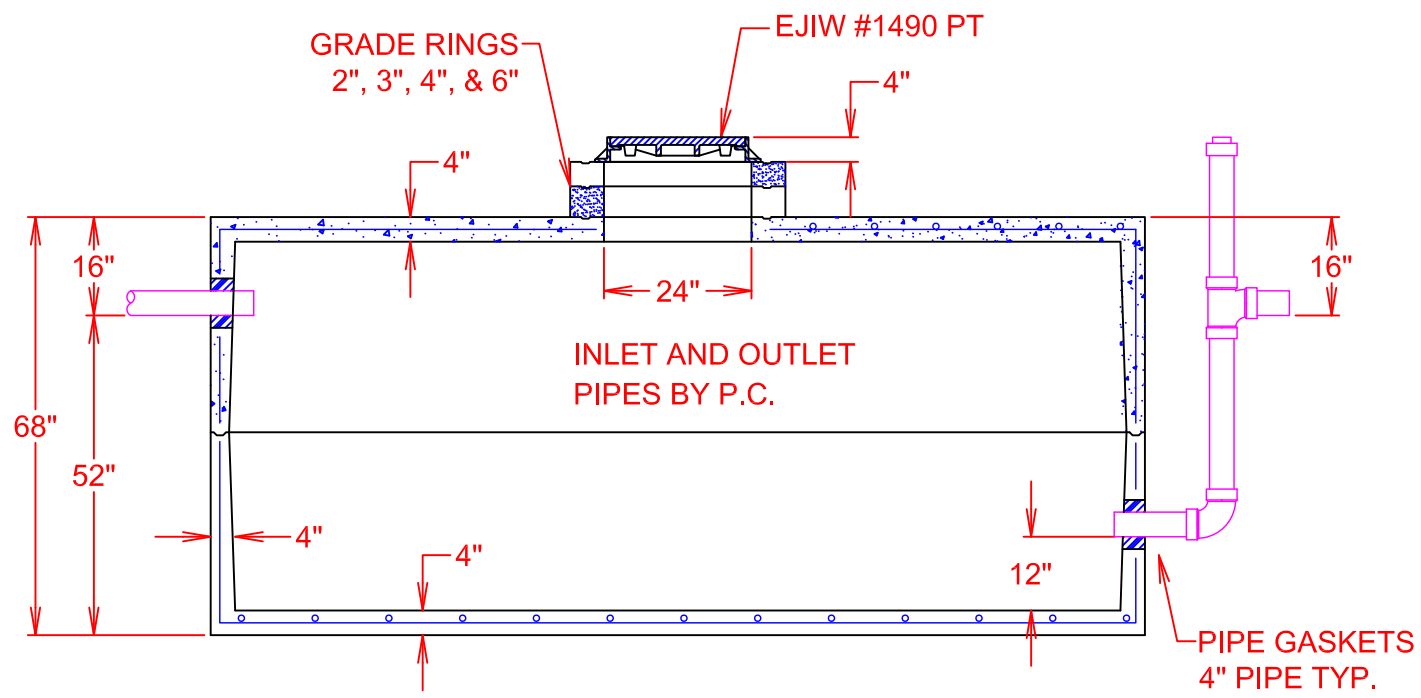
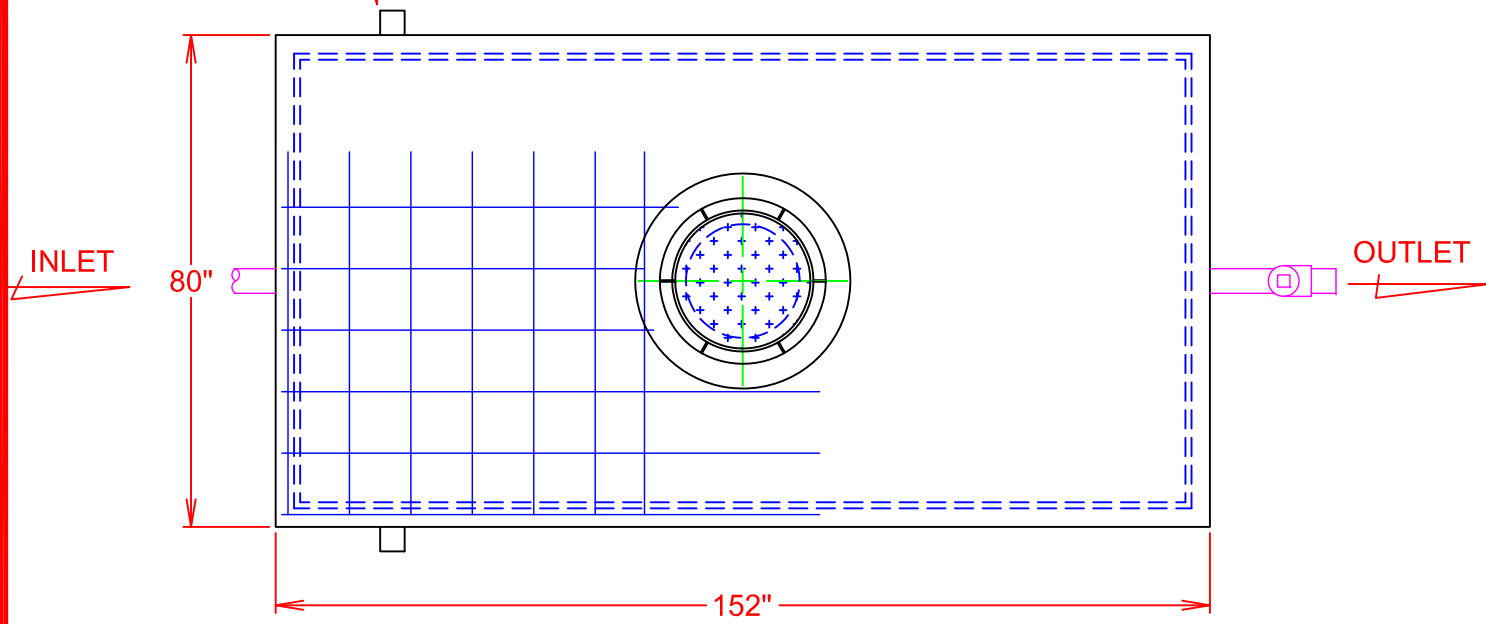


CONNECTION FOR  
3" VENT (2) PLACES



NOTE:  
CONCRETE TO BE 5,000 PSI  
(MIN.) AT 28 DAYS



7415 Diley Road  
Canal Winchester, OH 43110

Phone (614) 837-8444  
Fax (614) 837-1198

TITLE: MODEL O-20  
OIL INTERCEPTOR

OIL RETENTION VOLUME:  
1,436 GALLONS (192 CF)

SCALE:

DRWN BY:

DATE: