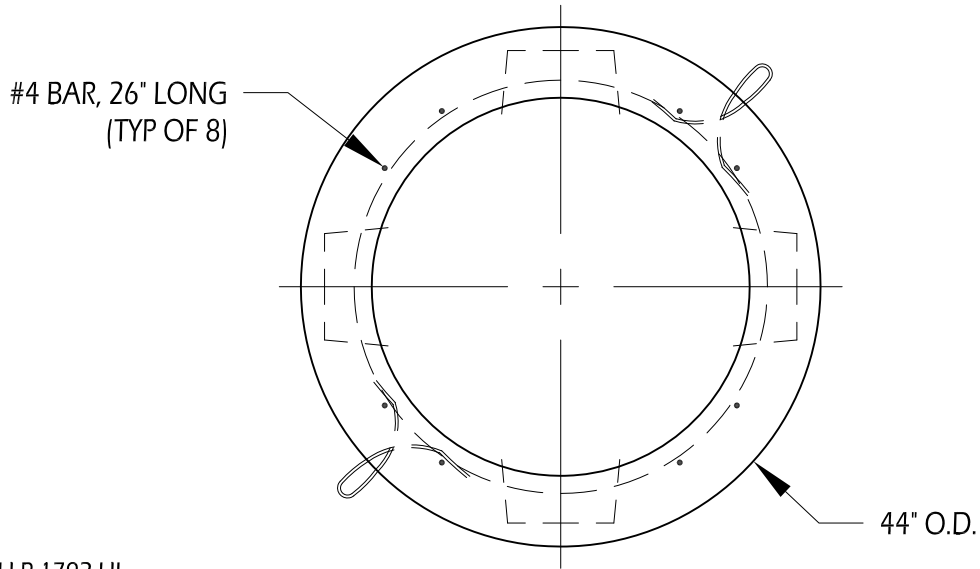
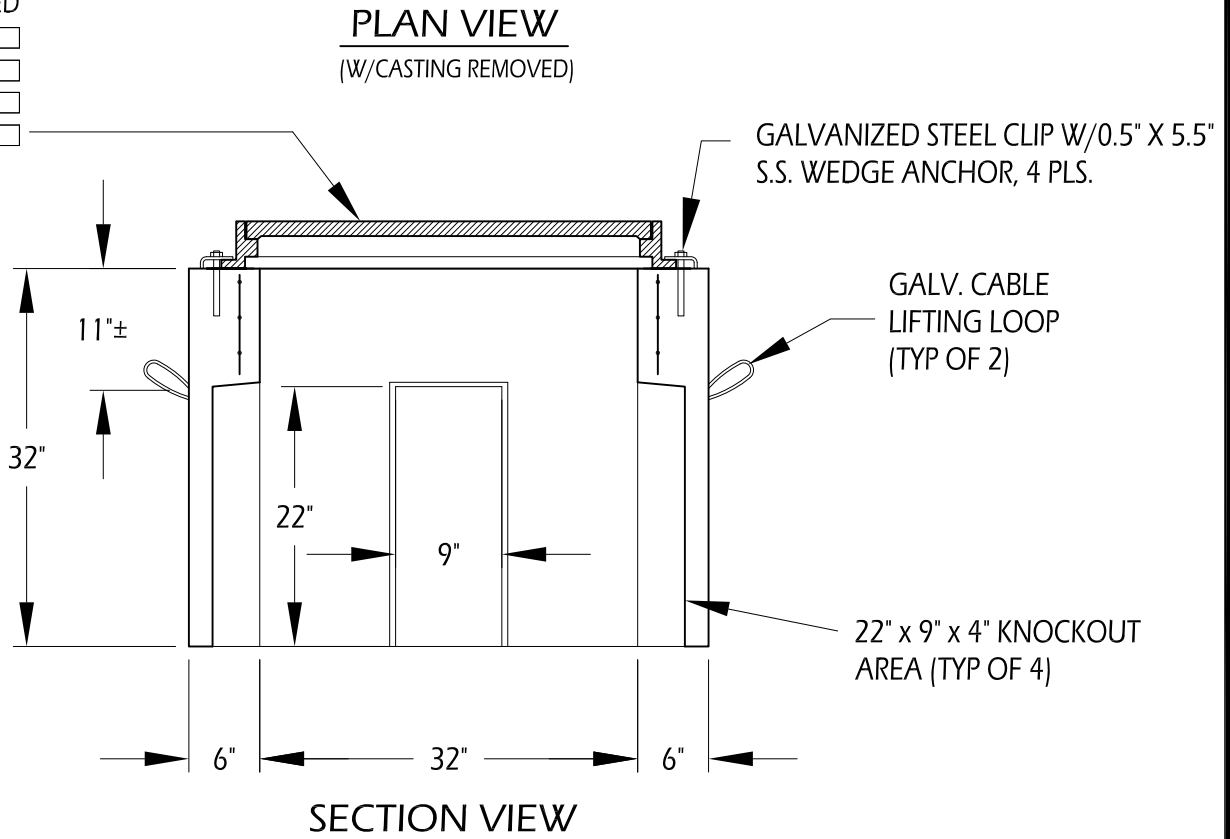


NOTES:

1. Concrete 5,000 PSI at 28 days, minimum, with 6% ±2% air entrapment.
2. Use ASTM A615, Grade 60, deformed reinforcing bars.
3. Galvanized aircraft cable for pick-ups.
4. One coat of Enviro Seal 40 concrete sealant applied to interior and exterior.
5. Concrete materials meet ODOT specifications.



- NEENAH R-1792-HL,
TYPE "C" LID LETTERED
- "ELECTRICAL"
 - "COMMUNICATIONS"
 - "TRAFFIC"
 -



7415 Diley Road
Canal Winchester, OH 43110

Phone (614) 837-8444
Fax (614) 837-1198

32" PULL BOX

Product ID: PB3232C

Drawn by: CC

Scale: n/a

Date: 4/16/12